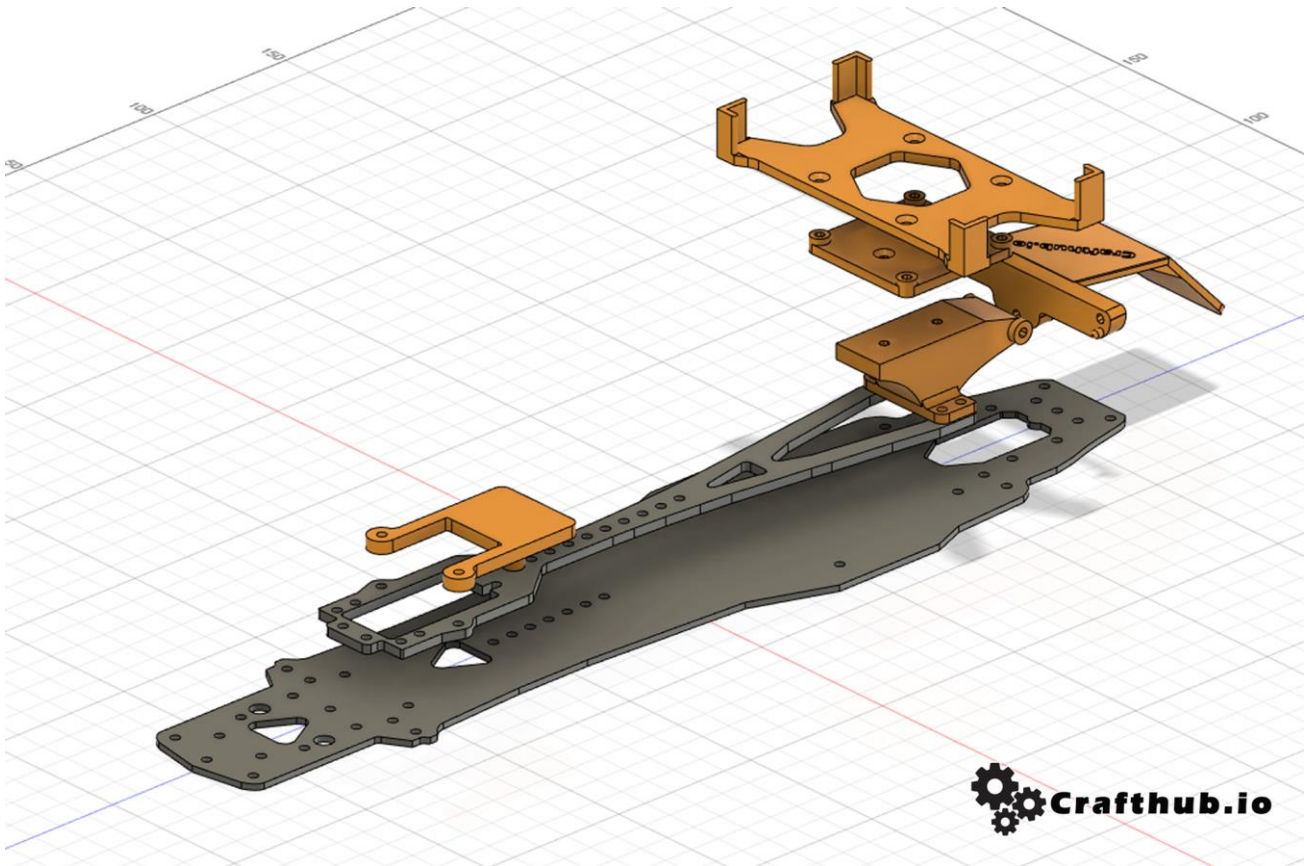


Thank you for purchasing the www.crafthub.io Active Suspension Conversion kit



For SakuraD5s Battery high mount kit.

This kit is a Battery high mount kit for SakuraD5s chassis. For More high rear wheel traction, lift up chassis CG will make real roll when the vehicle turn.

Note

This data is optimized for SakuraD5s,

Data kit

You have to print out all parts by yourself. The material you should use depends on the parts. Please chose the correct and affordable material.

Future

- Design for 1/10 scale SakuraD5s.
- You don't need any modification, even make a hole in genuine chassis.
- High mount Battery case (Short type)
- ESC mount on the moter

What is contained in this kit?

Parts list of this kit

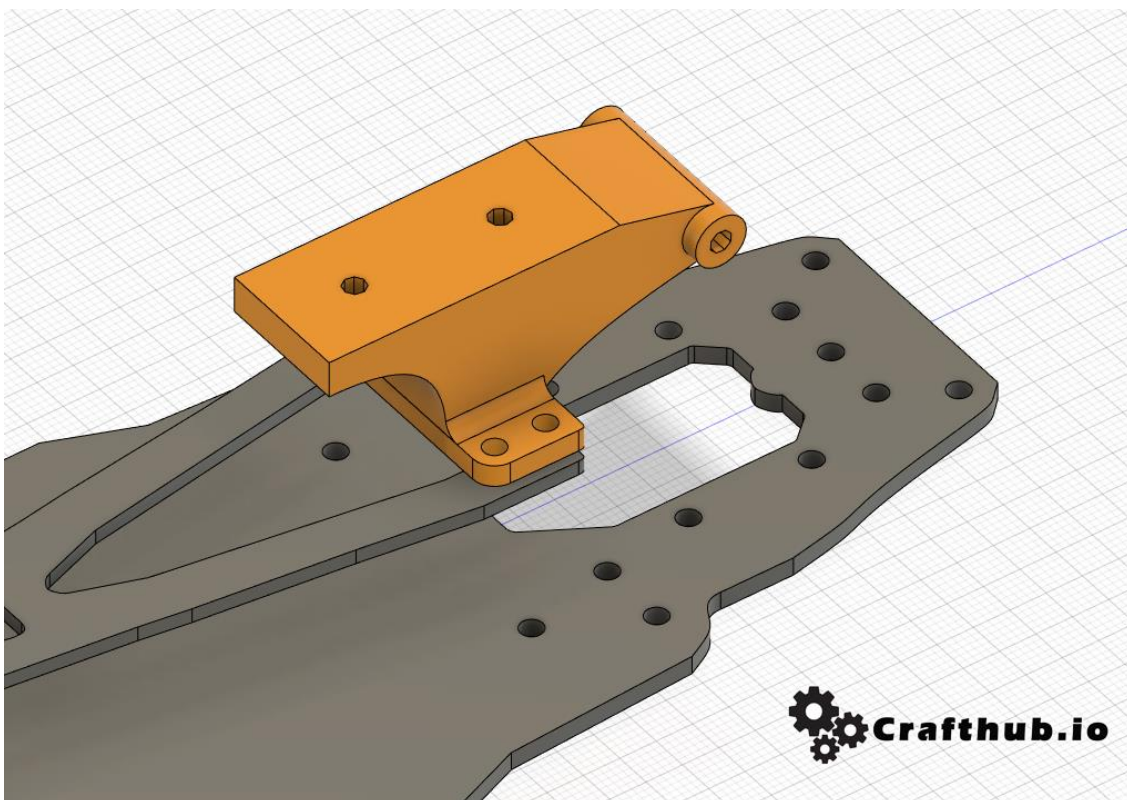
Red	ABS or more durable material such as Colorfabb HT		
Green	PLA		
Blue	Adobe Illustrator AI PDF		
	FileName	Material	PrintoutQuantity
1	BatteryCase.stl	Red	1
2	BatteryMount.stl	Red	1
3	BatteryMountBase.stl	Red	1
5	ESCmount.stl	Red	1
4	GyroMount.stl	Red	1

Construction manual

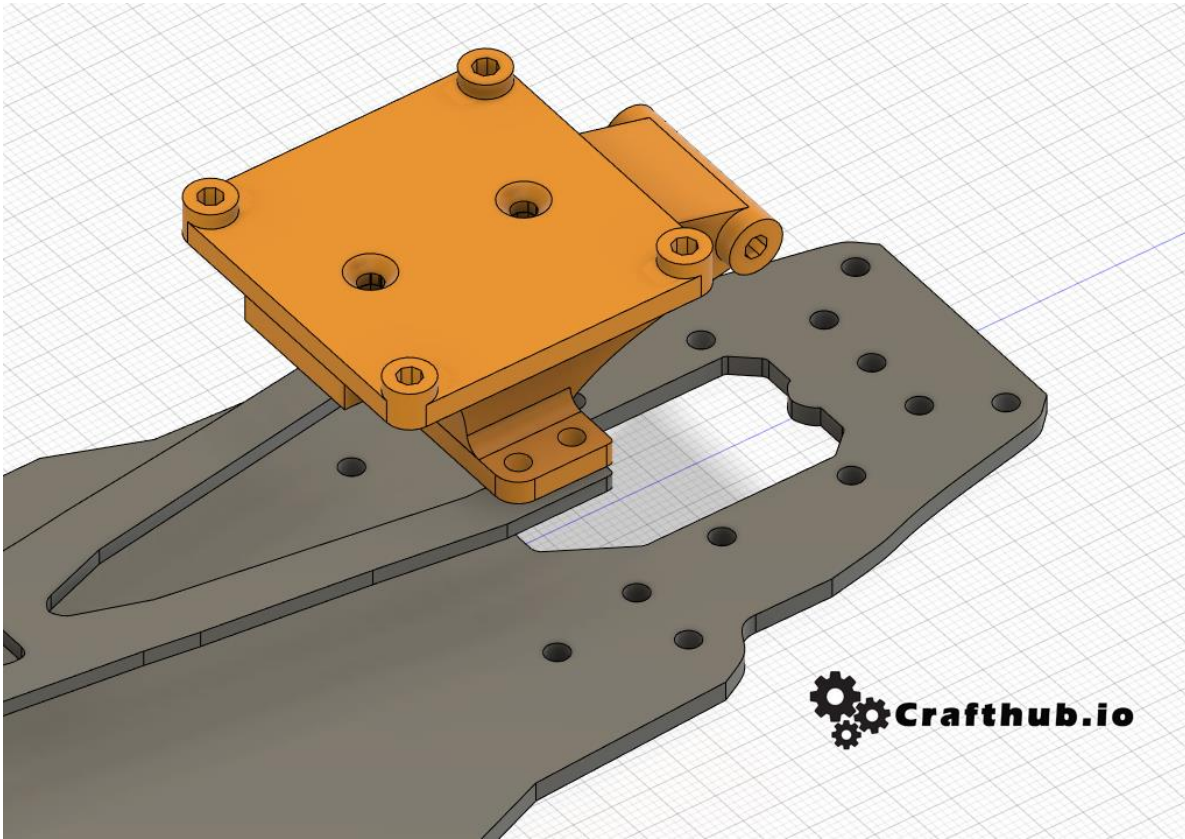
1,

1. Print out all parts with appropriate material. This kit we strongly recommend to use Colorfabb HT firament.

2,

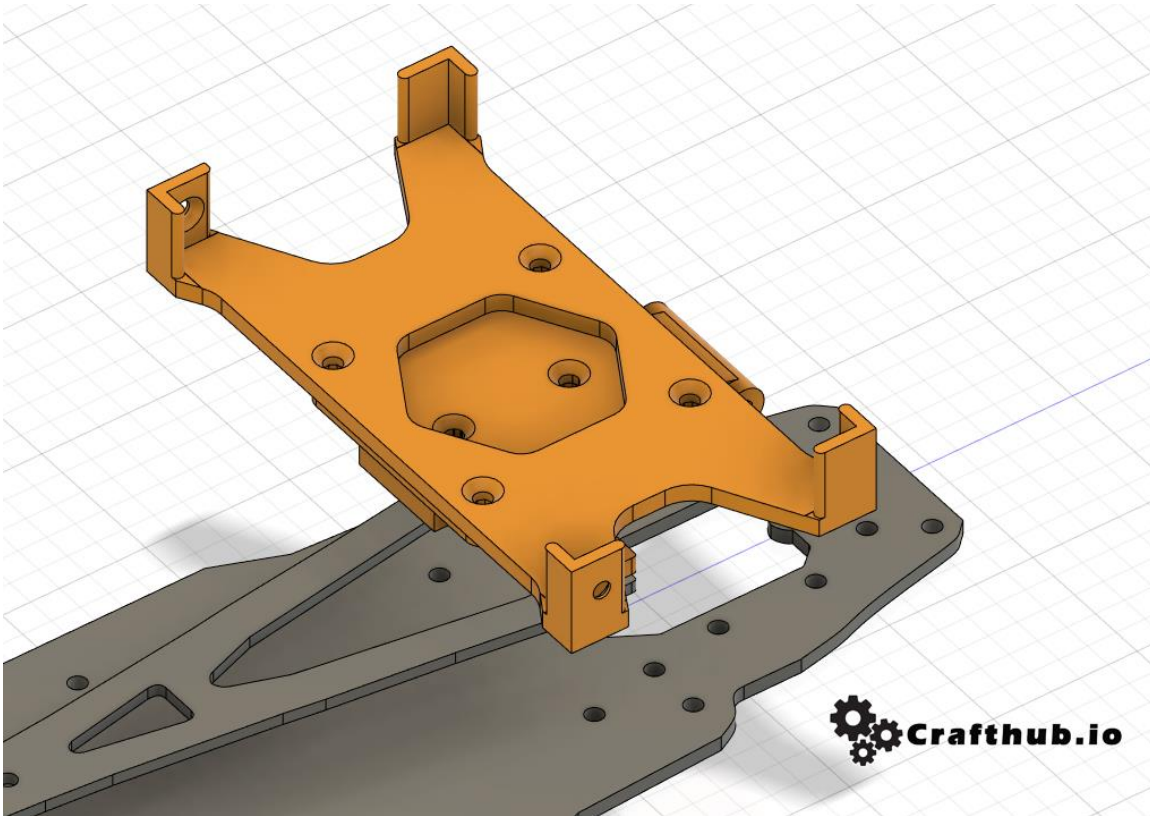


Remove M6*23mm post and install Battery mount Base



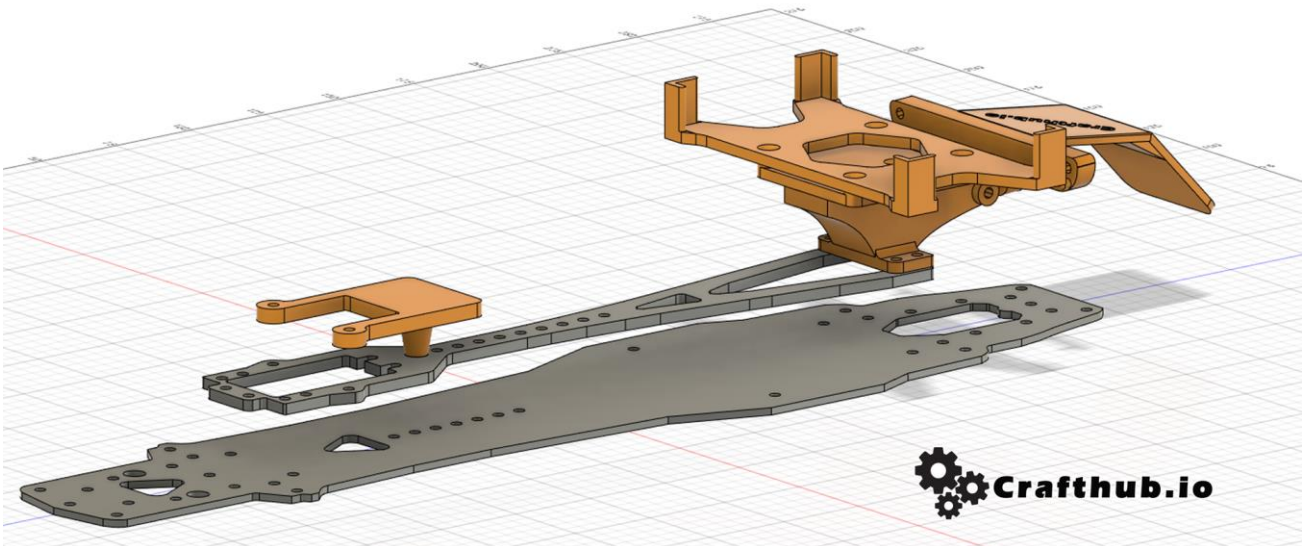
Add Battery mount M3*6 Countersunk screw

3

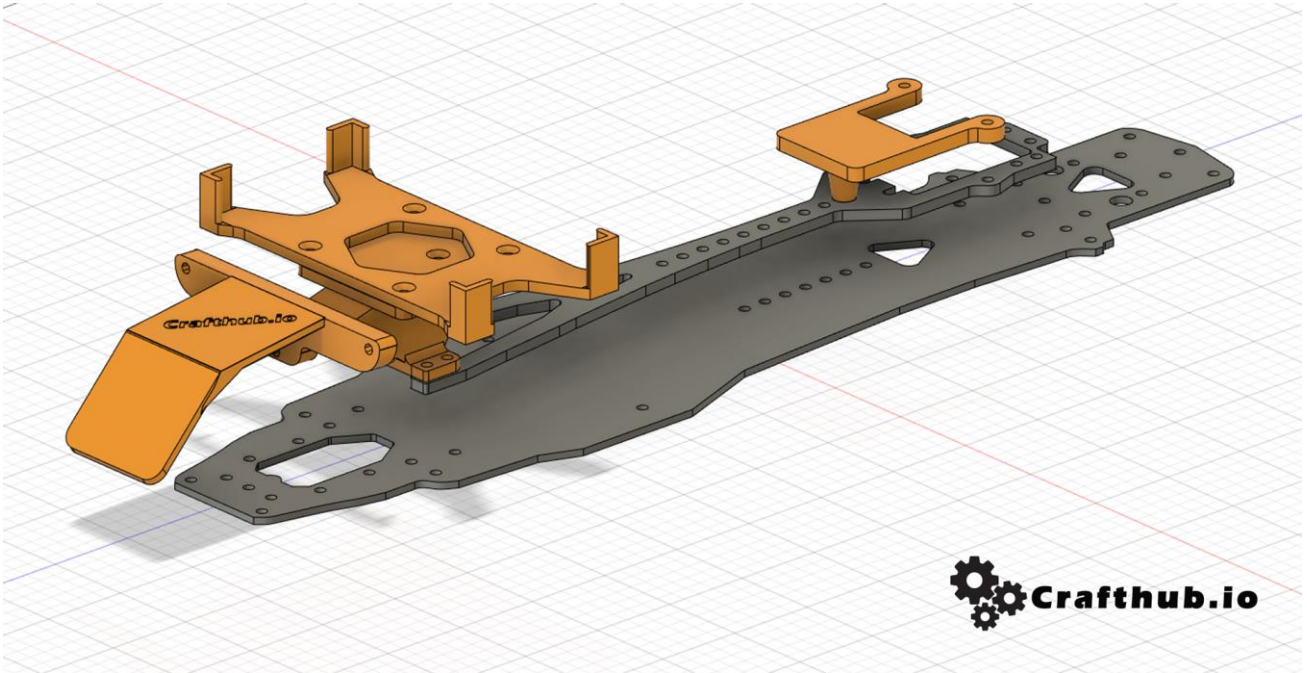


Install battery case. This time you had better to set the battery strap belt.

4



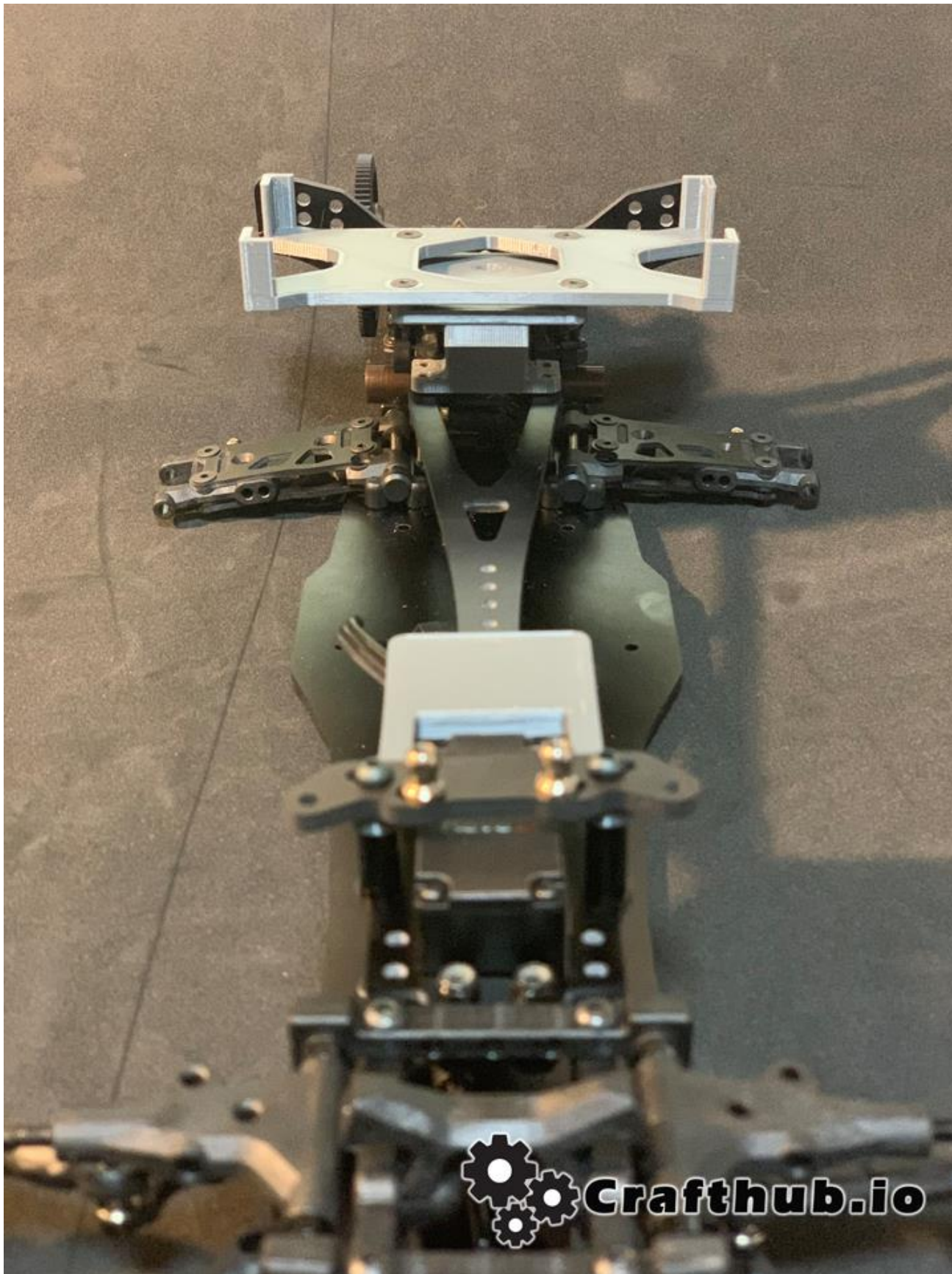
Install Gyro mount



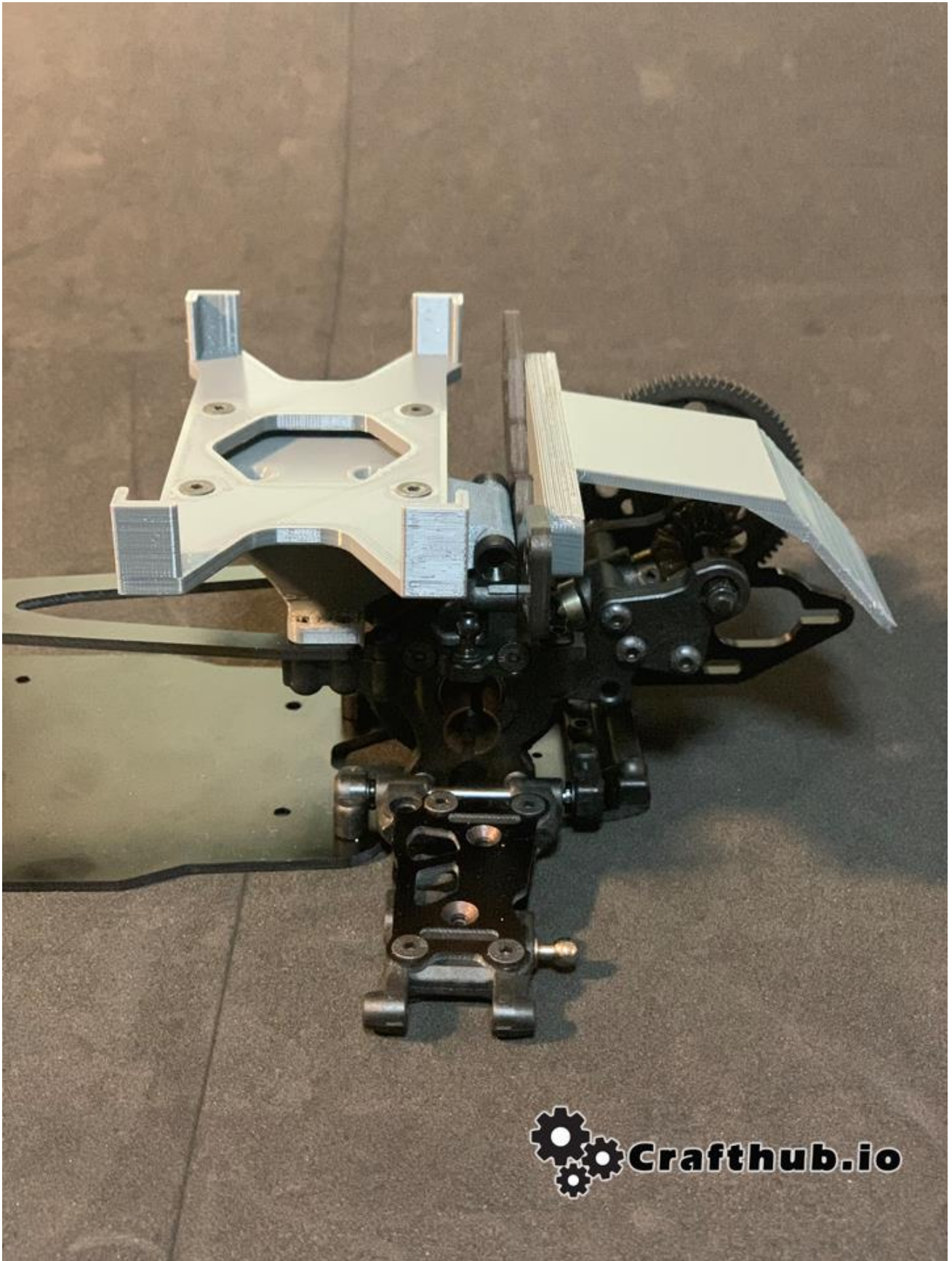
Bolt on a ESC plate on Dumper Stay

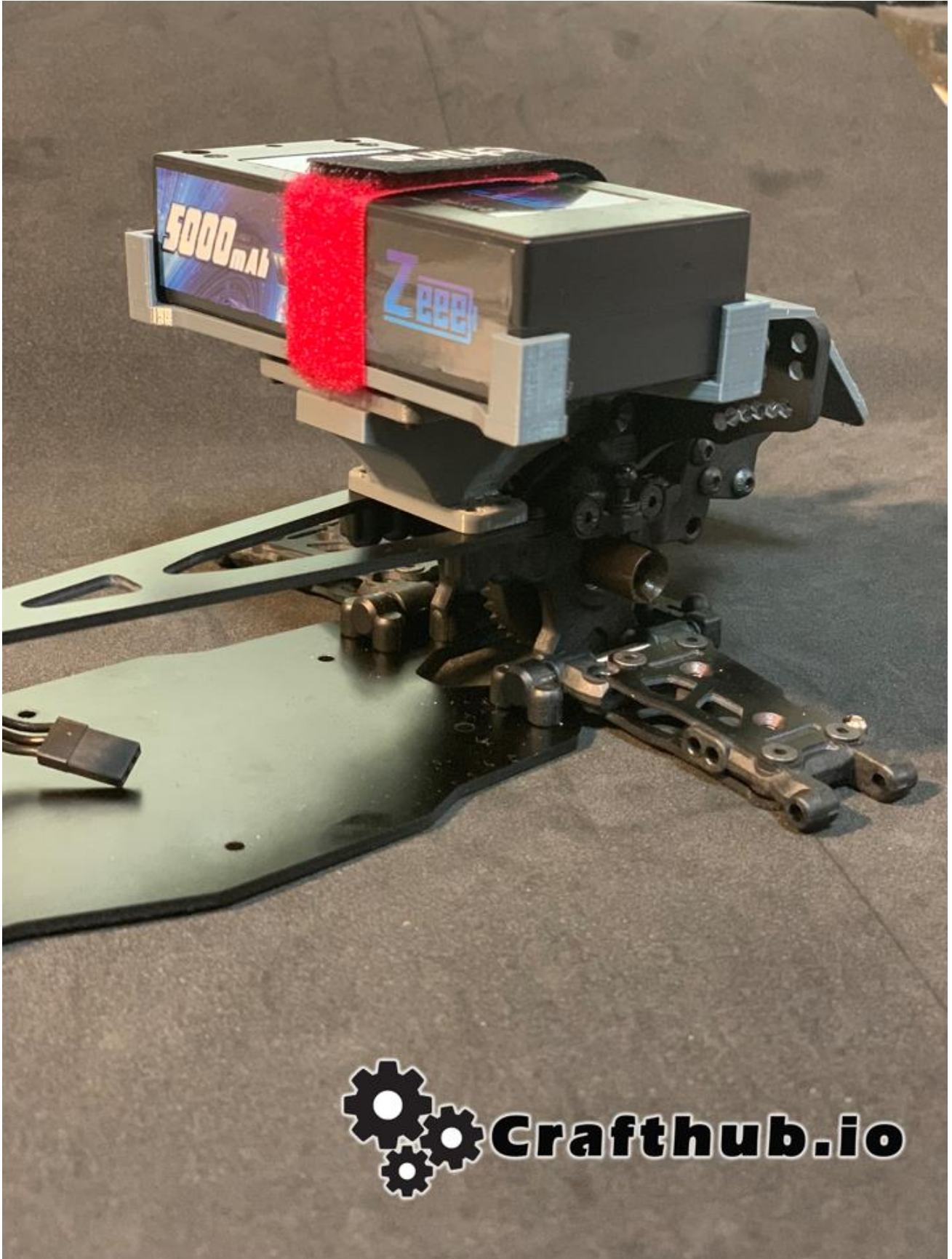
Caution

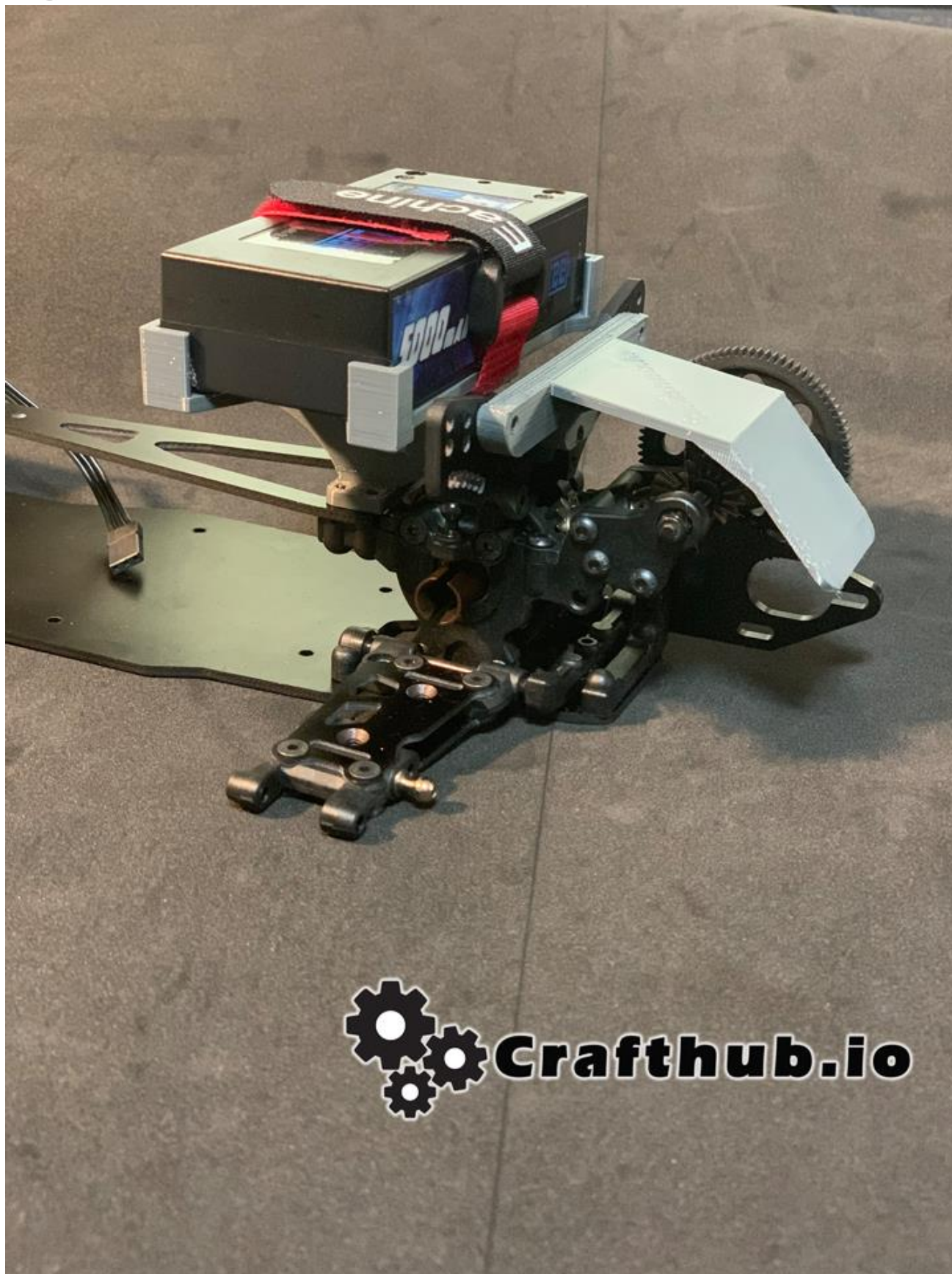
Depend on an ESC, the ESC may hit the body. You might be decide you use ESC or Not.











**Disclaimer**

Do not use this file for commercial purpose without any permission.

This model is design to make FDM 3Dprinter, the parts have some additive markings, however, no problem for those parts function.

We use/recommend ColorfabbHT firmament

<https://colorfabb.com/colorfabb-ht-tritan>

If you have any question, please contact is via a form.

<https://www.crafthub.io/contact-us/>

Crafthub.io kay Hirano

<http://www.crafthub.io>

Instagram: @crafthub.io

Youtube: https://www.youtube.com/channel/UC5s76d53JjdKf_krIeUo6MQ/videos