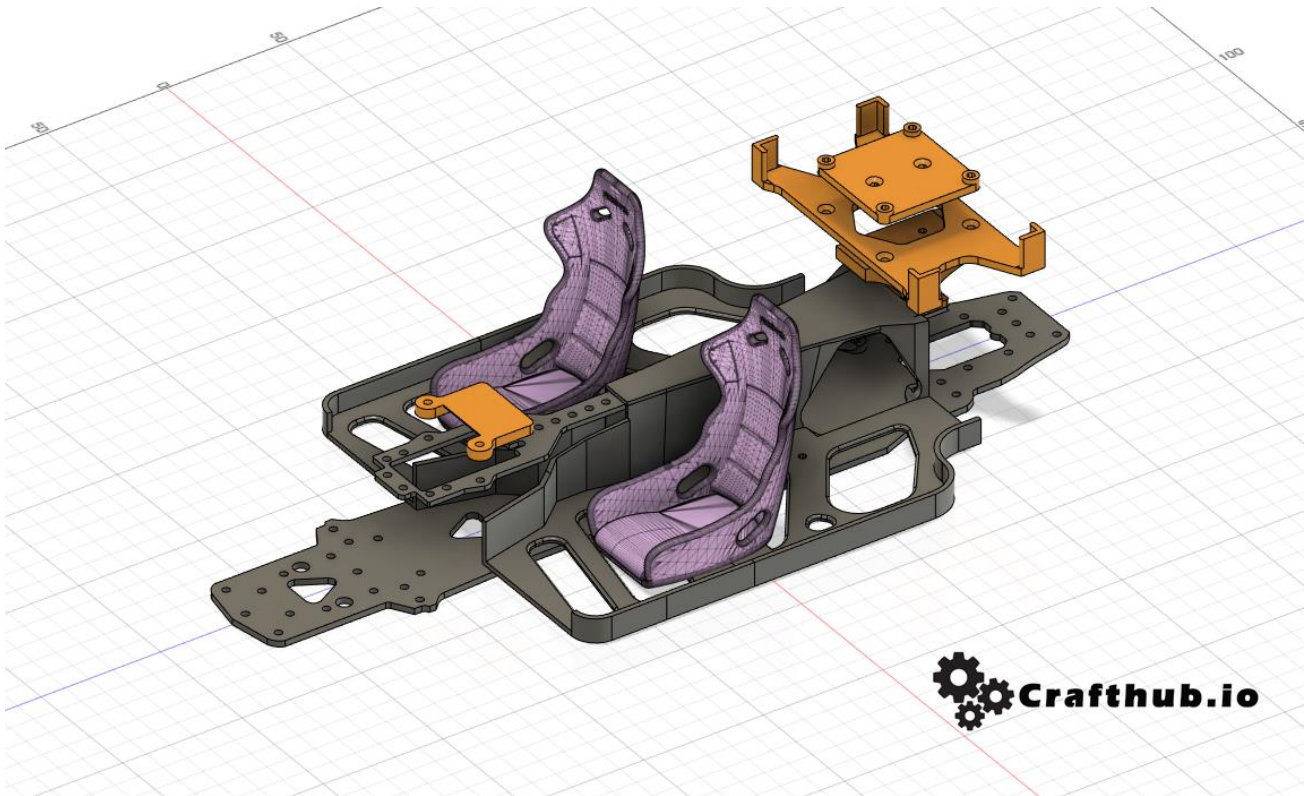


Thank you for purchasing the www.crafthub.io Active Suspension Conversion kit



For SakuraD5s Snap on Easy setup cockpit kit.

This kit is a scale detail up kit for SakuraD5S chassis. You don't need any modification on sakuraD5s Genuine chassis. Only Screw and driver, you can install 90's JDM-ish RHD cockpit.

Note

This data is optimized for SakuraD5s,

Data kit

You have to print out all parts by yourself. The material you should use depends on the parts. Please chose the correct and affordable material.

Future

- Design for 1/10 scale SakuraD5s.
- You don't need any modification, even make a hole in genuine chassis.
- High mount Battery case (Short type)
- LED illuminated Meter cluster
- Quick release handle.
- Powered Steering Handle relate to your steering input.

What is contained in this kit?

Parts list of this kit

Red	ABS or more durable material such as Colorfabb HT
Green	PLA
Blue	Adobe Illustrator AI PDF

	FileName	Material	PrintoutQuantity
1	BatteryCase.stl	Red	1
2	BatteryMount.stl	Red	1
3	BatteryMountBase.stl	Red	1
4	DashMount.stl	Red	1
5	Brace.stl	Green	1
6	dashbord.stl	Green	1
7	FfontBathtub.stl	Green	1
8	FrontCageHolder.stl	Green	2
9	Gyromount.stl	Green	1
10	RearBathtub.stl	Green	1
11	RearCageholderL.stl	Green	1
12	RearCageholderR.stl	Green	1
13	Sidepanel.stl	Green	1

Acc

	FileName	Material	Printout quantity
1	HandBlakeLever.stl	Green	1
2	LeverHolder.stl	Green	1
3	Leverhorn.stl	Green	1
4	Shifutolever.stl	Green	1

Handle

	Filename	Material	Printout quantity
1	BossA.stl	Green	1
2	BossB.stl	Green	1
3	DashLEDlid.stl	Green	1
4	Handle.stl	Green	1
5	Handleshaft.stl	Green	1
6	meter.ai	Blue	1
7	Meter.pdf	Blue	1
8	Meterpanel.stl	Green	1

Steeringdrive

	FileName	Material	
1	GearL.stl	Green	1
2	GearS.stl	Green	1
3	GearV2Mainbody.stl	Green	1
4	GearV2Holder.stl	Green	1
5	GearV2shaft.stl	Green	1

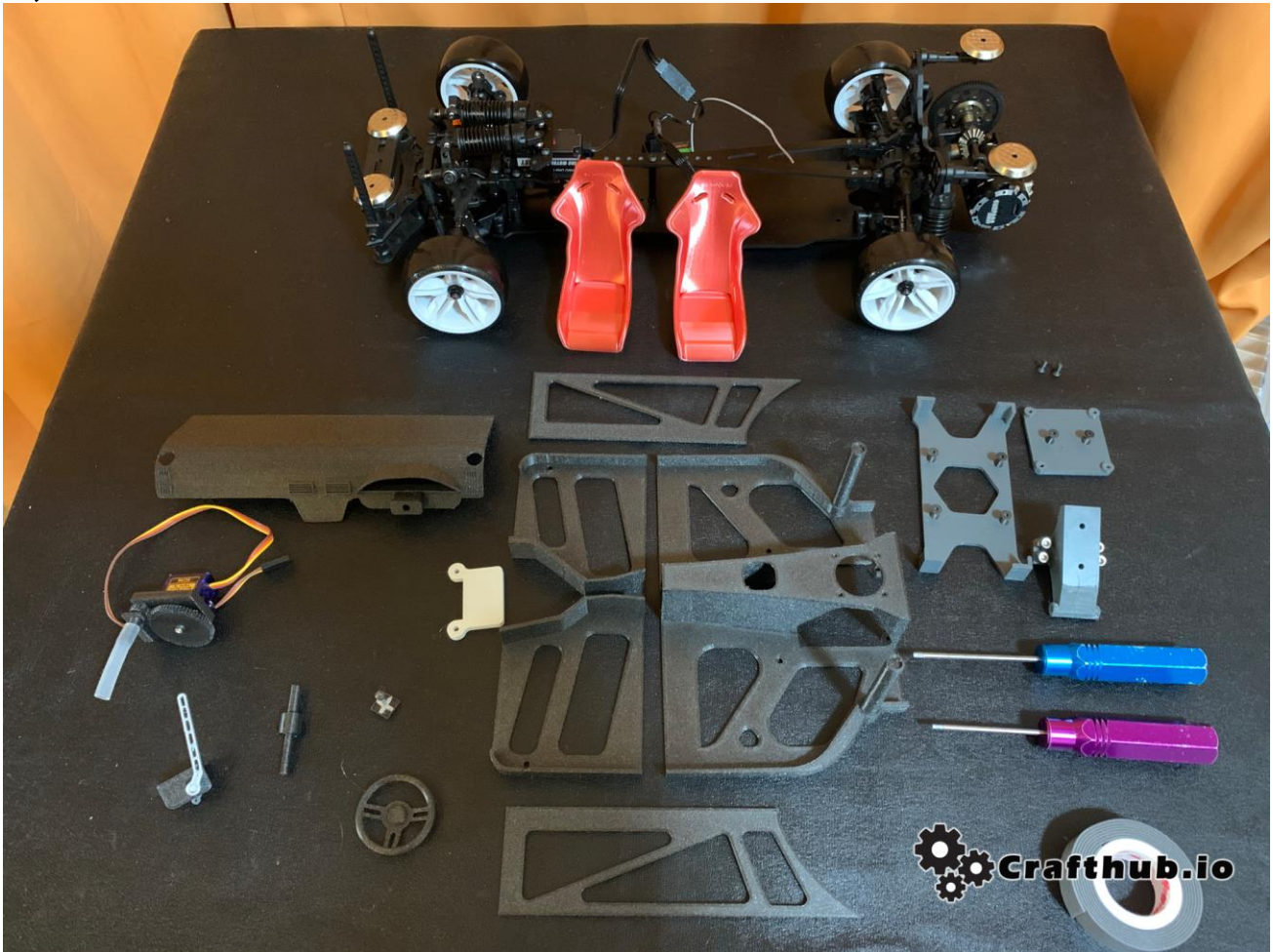
Seat			
	Filename	Material	Printout quantity
	RECARO_SEAT	Green	2
Sum	TotalFile	31	

What you need without this kit

	Name	Quantity
1	3M Doubleside Tape	1
2	9g servo	1
3	LED Dia 5mm	1
4	M3*6 Countersunkscrew	12
5	Neodymium Magnet5*2	2
6	silicon 4mm*6mm tube	1

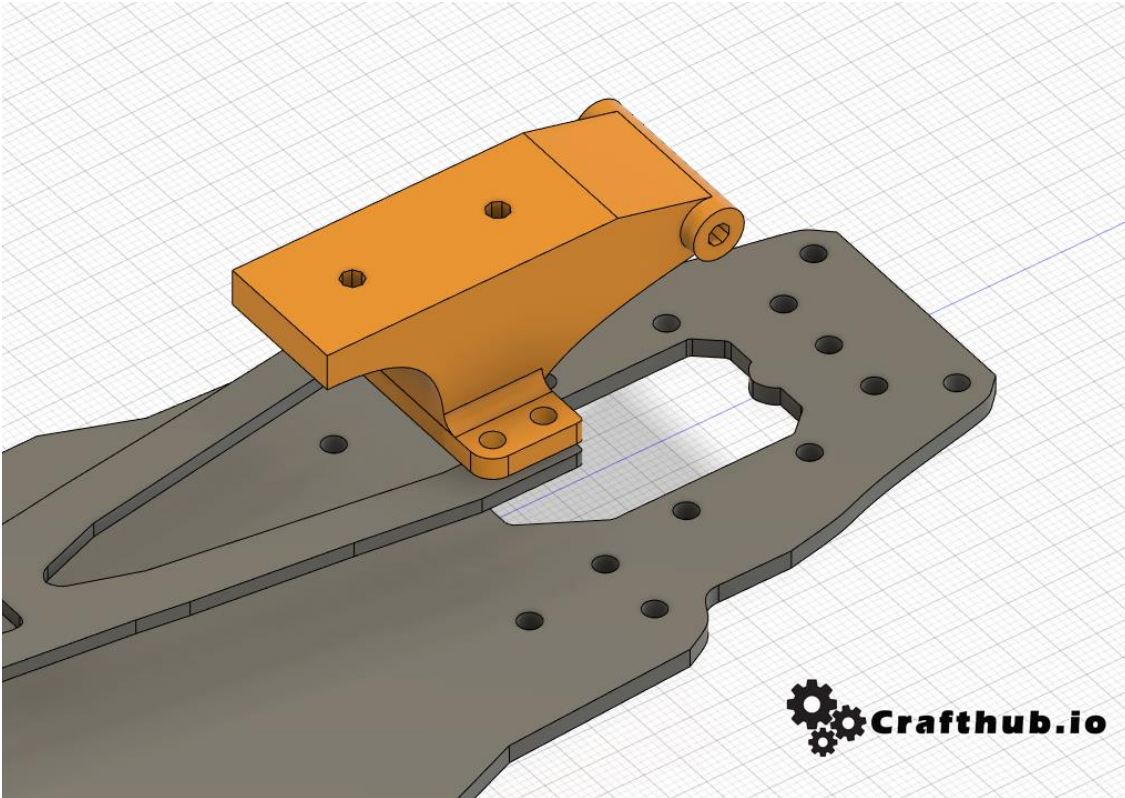
Construction manual

1,

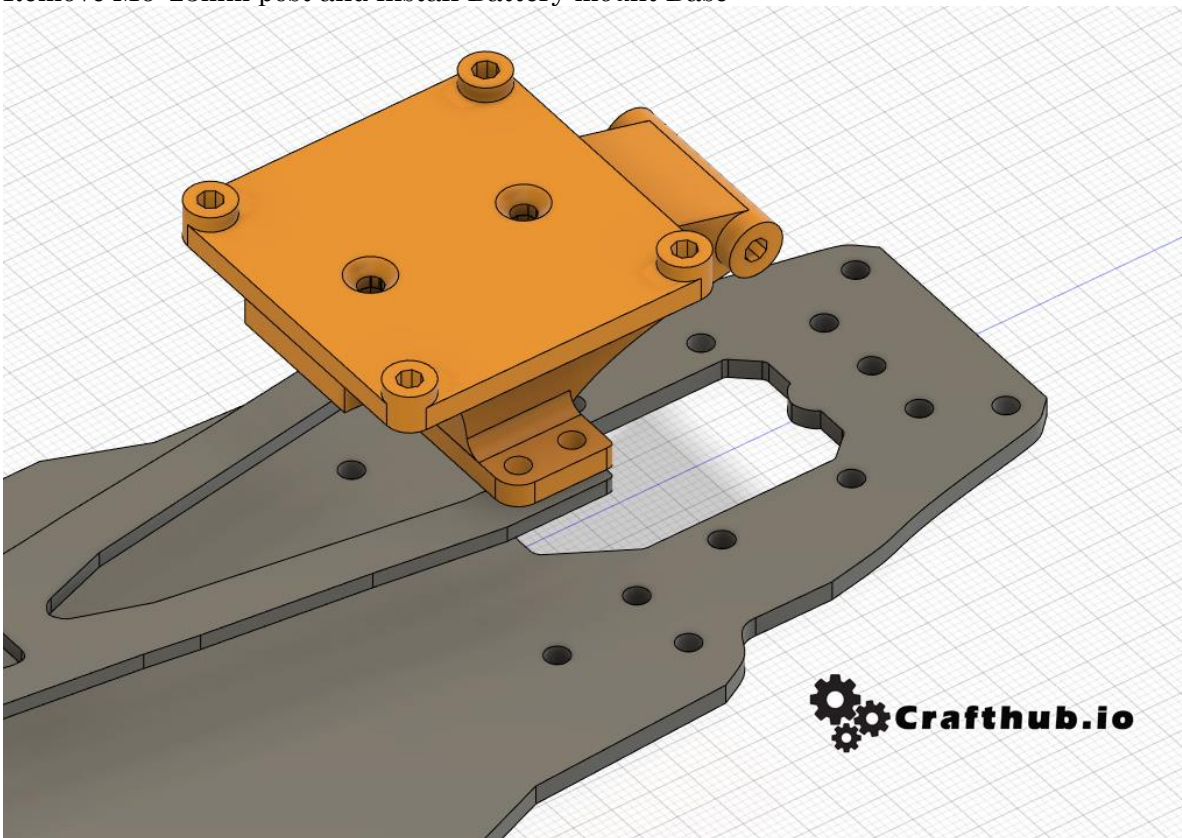


1. Print out all parts with appropriate material.

2,

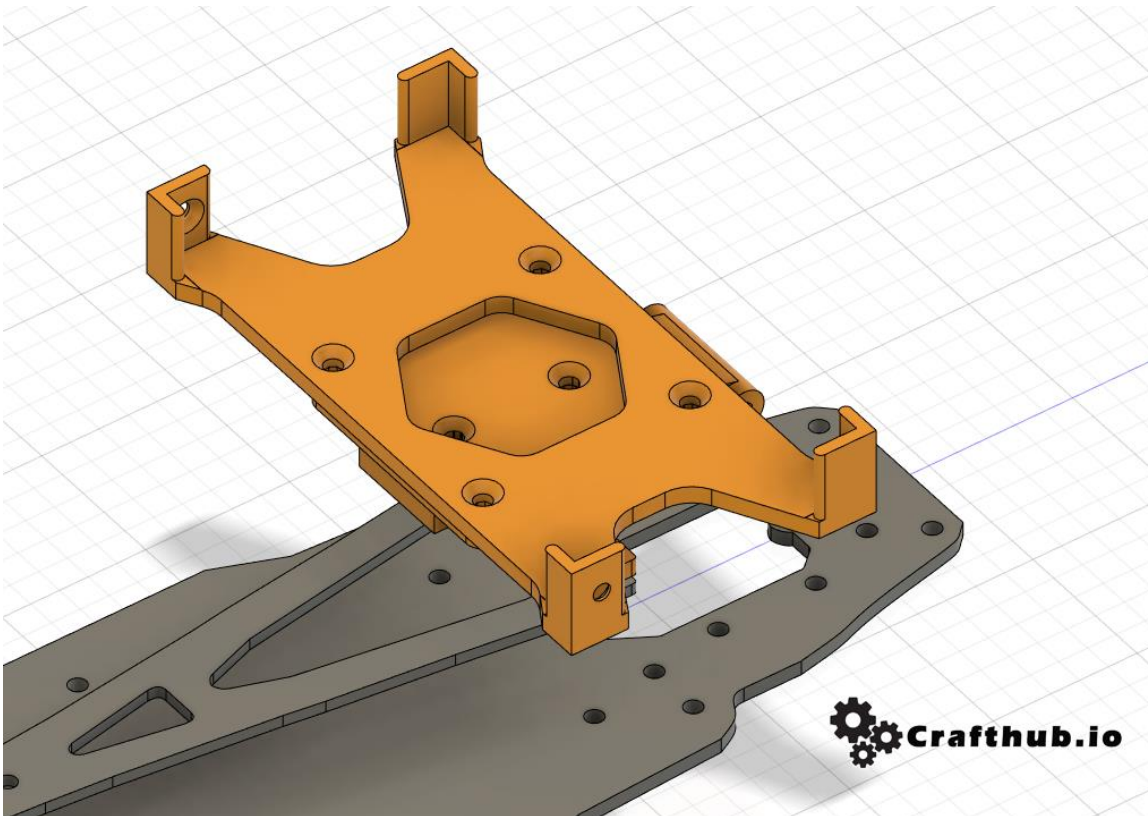


Remove M6*23mm post and install Battery mount Base



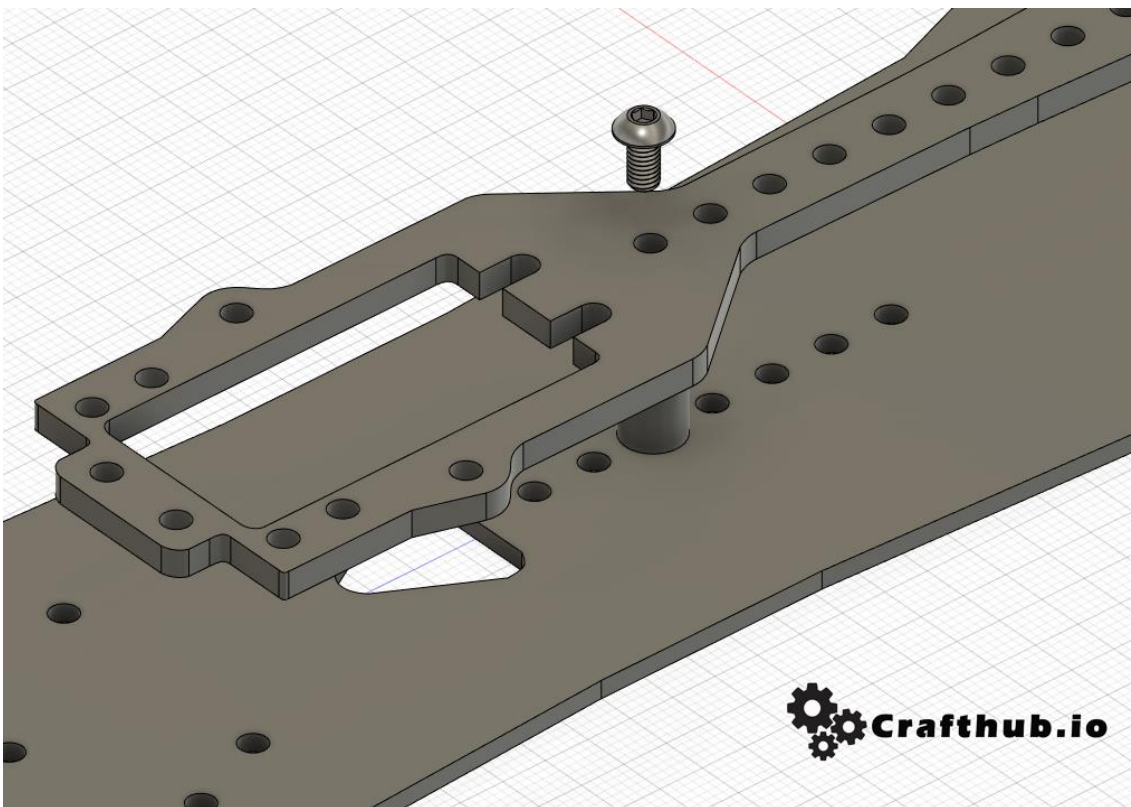
Add Battery mount M3*6 Countersunk screw

3

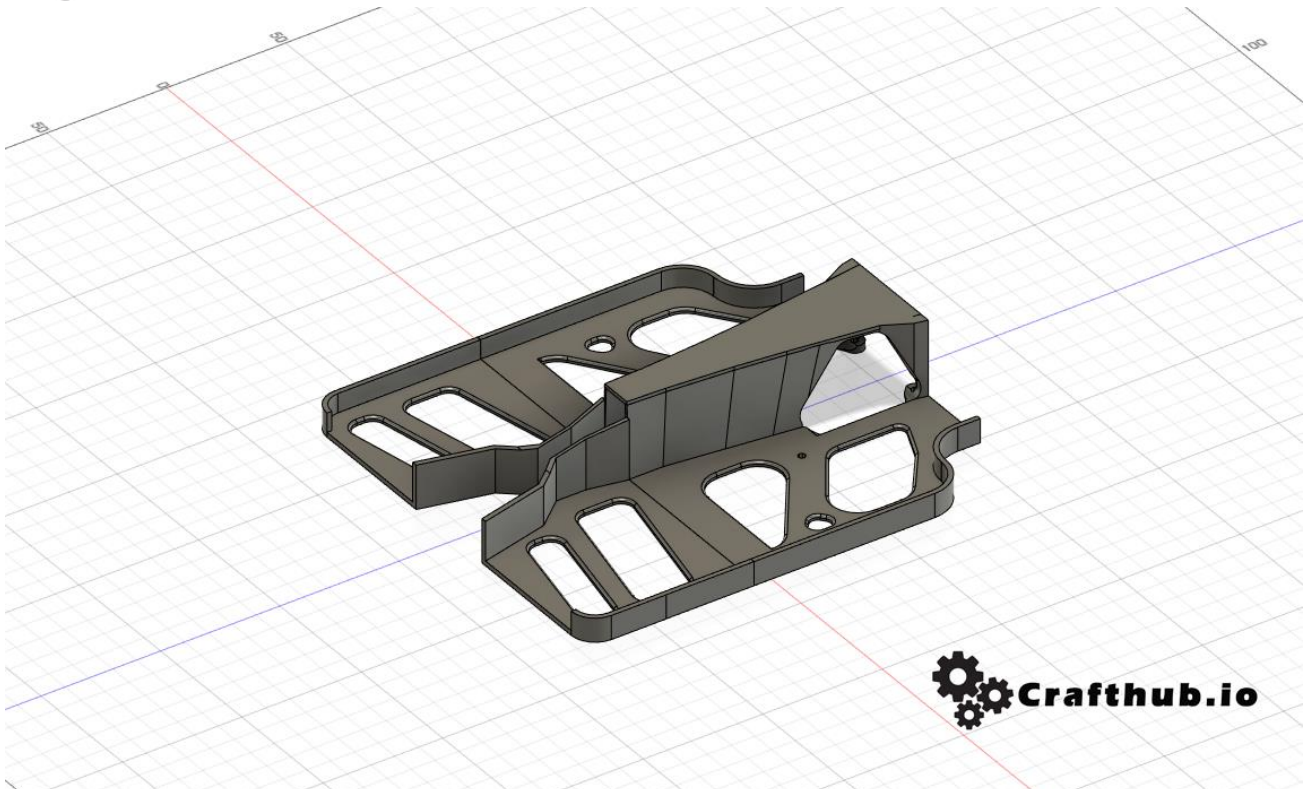


Install battery case. This time you had better to set the battery strap belt.

4

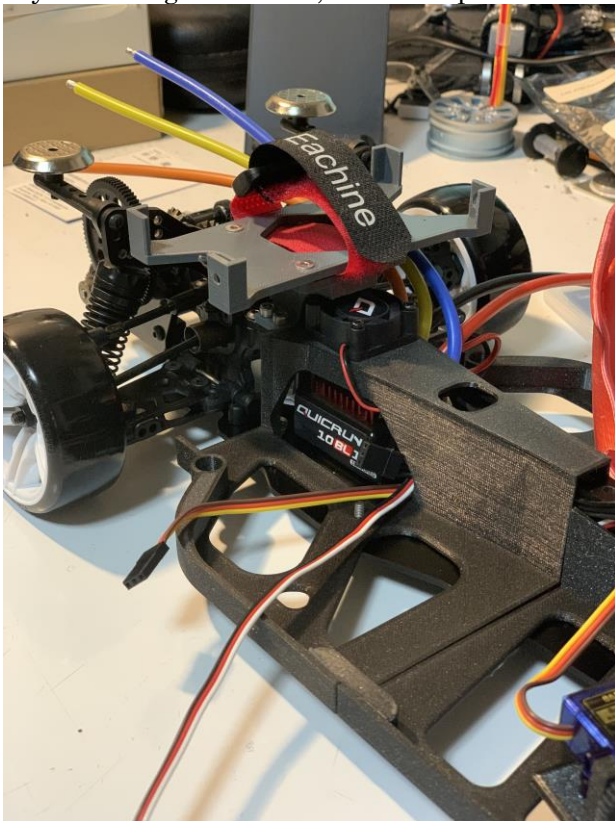


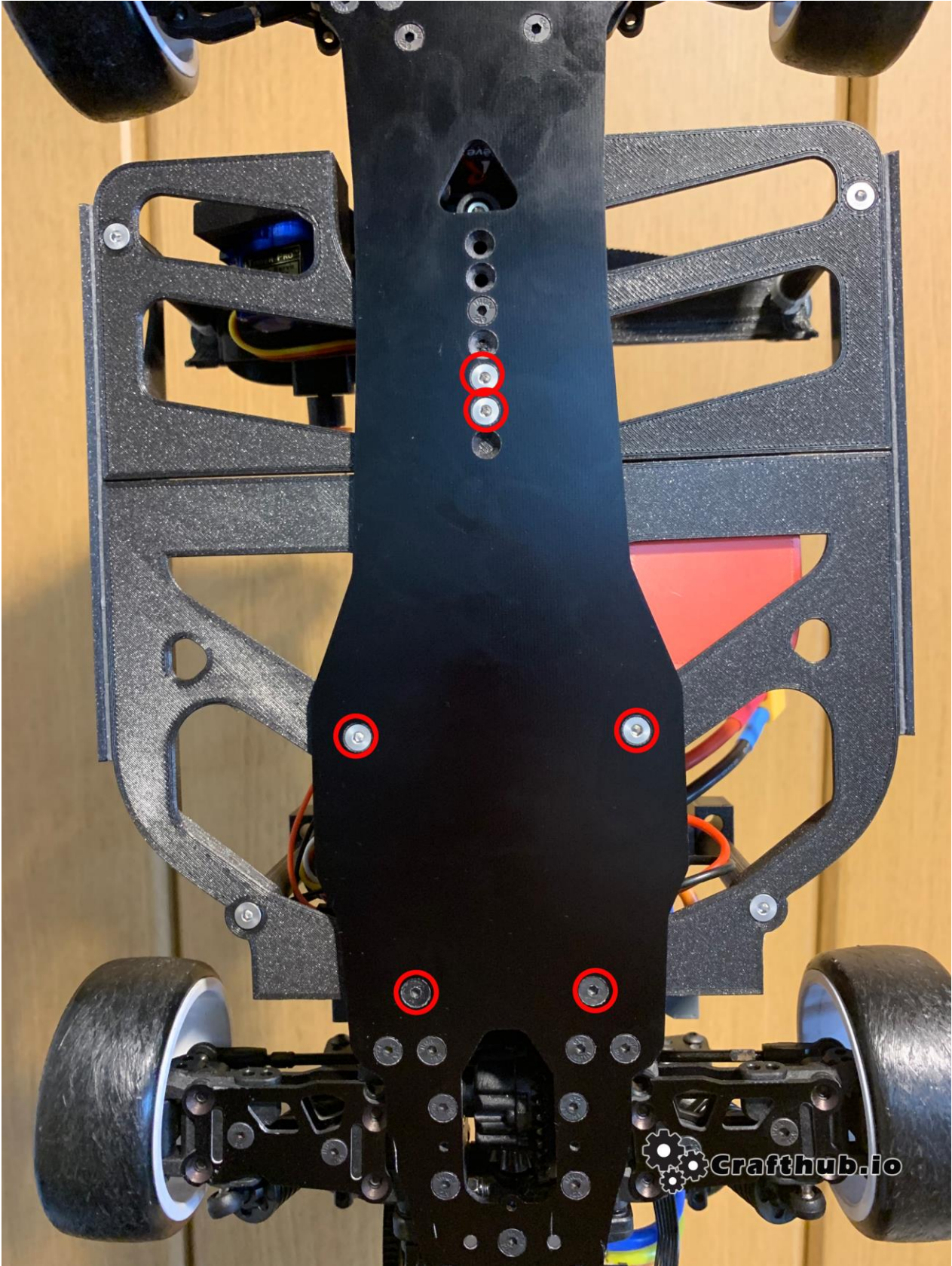
Move M6*30.5mm post for this position.



At first install Frontbathtub, and fix. Using a M3*6 countersunk screw. Rear Bath tub, it is a little bit difficult. Before fix to chassis, you should set the ESC on appropriate parts.

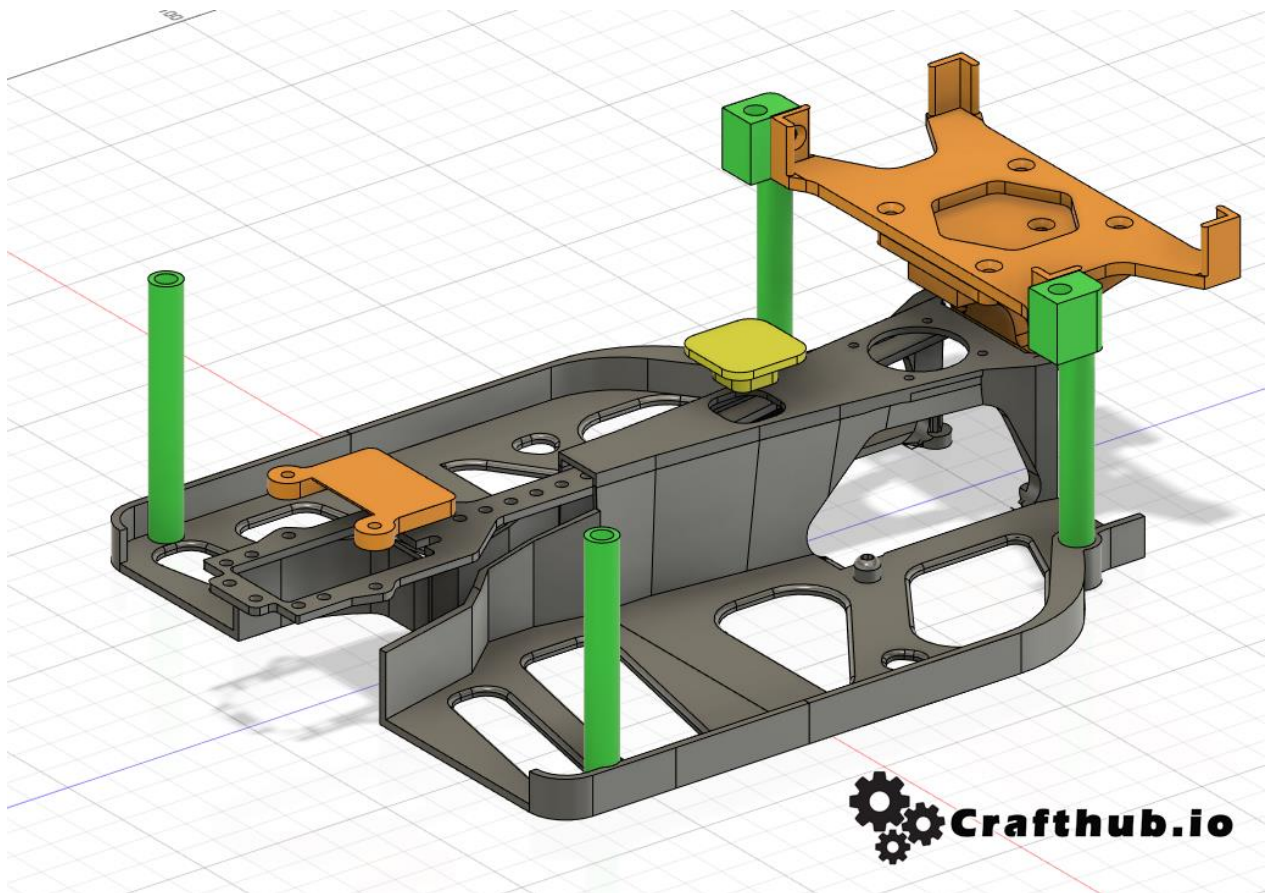
If you use high end ESC, those footprints will be compact, you can install ESC easily.





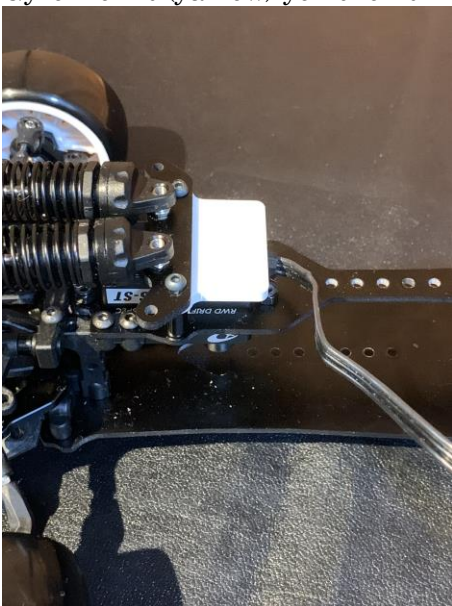
BathTab Fix screw

5,



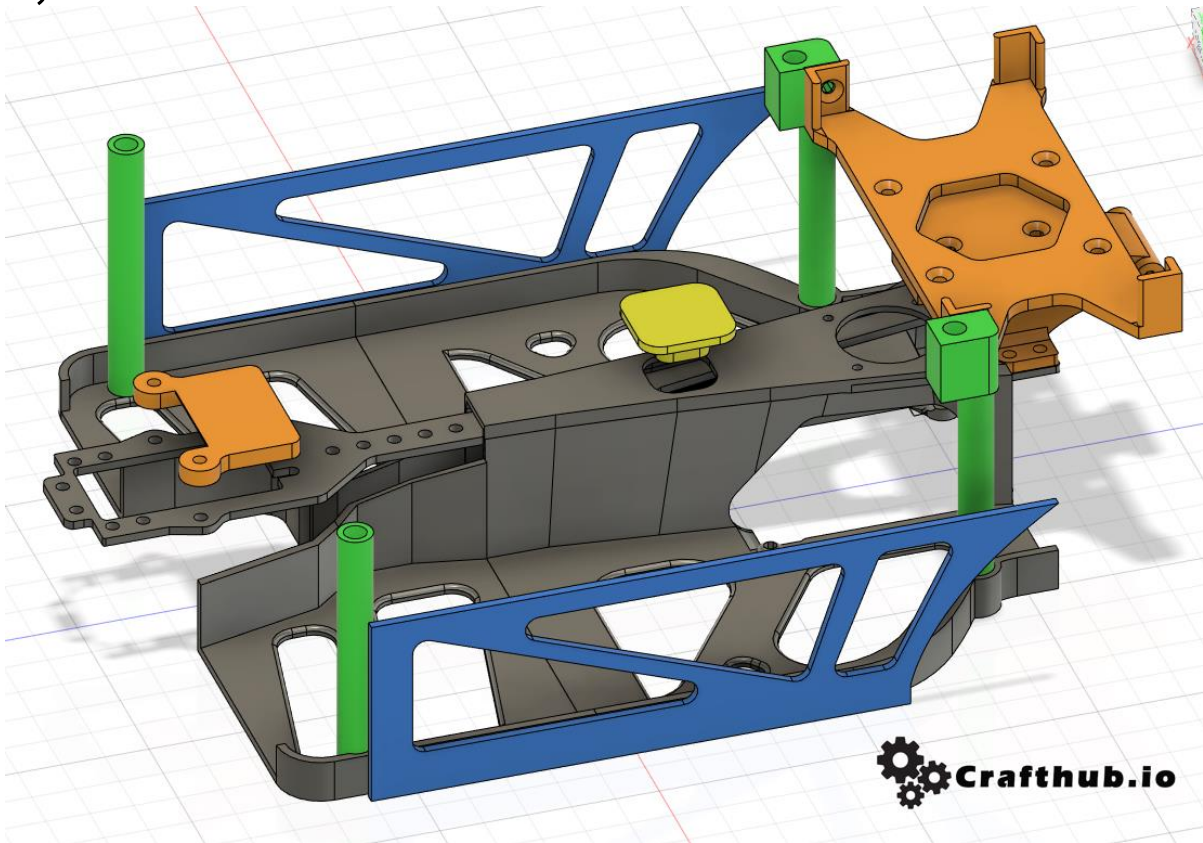
Install the cage holder(Green) with M3*6screw..The rear Cage holder also fixes the battery case with M3*6 screw.

Gyro mount (yarrow) you should fix on upper chassis directory with DoublesideTape.

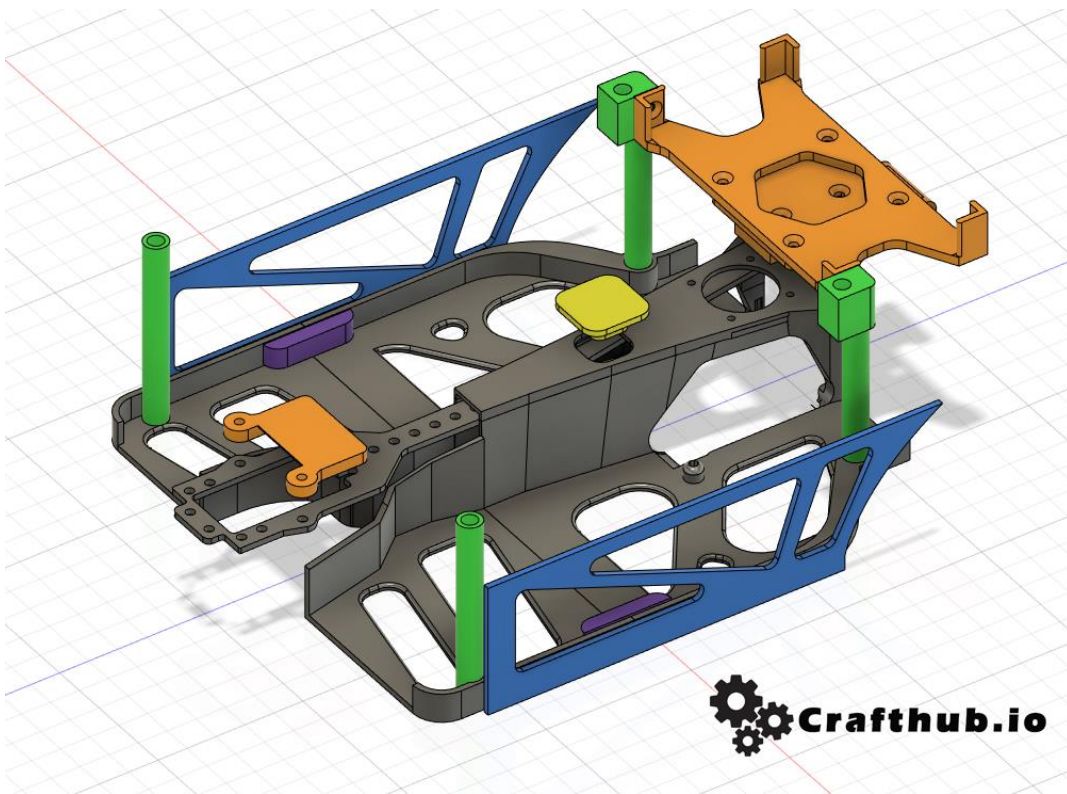


Install the dash mount plate

6,

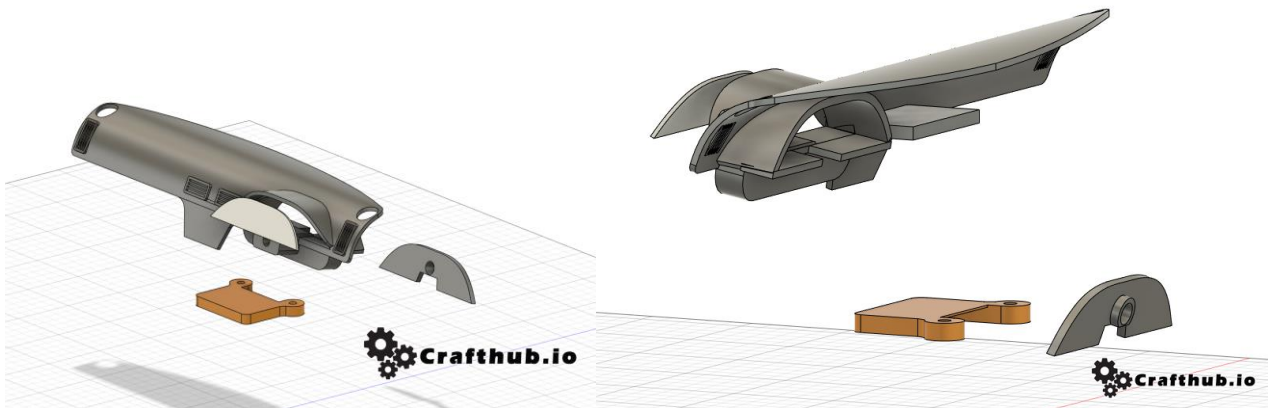


Fix the side.Panel(Blue) with double-sided Tape



Fix the reinforce brace(Purple) with double side Tape.

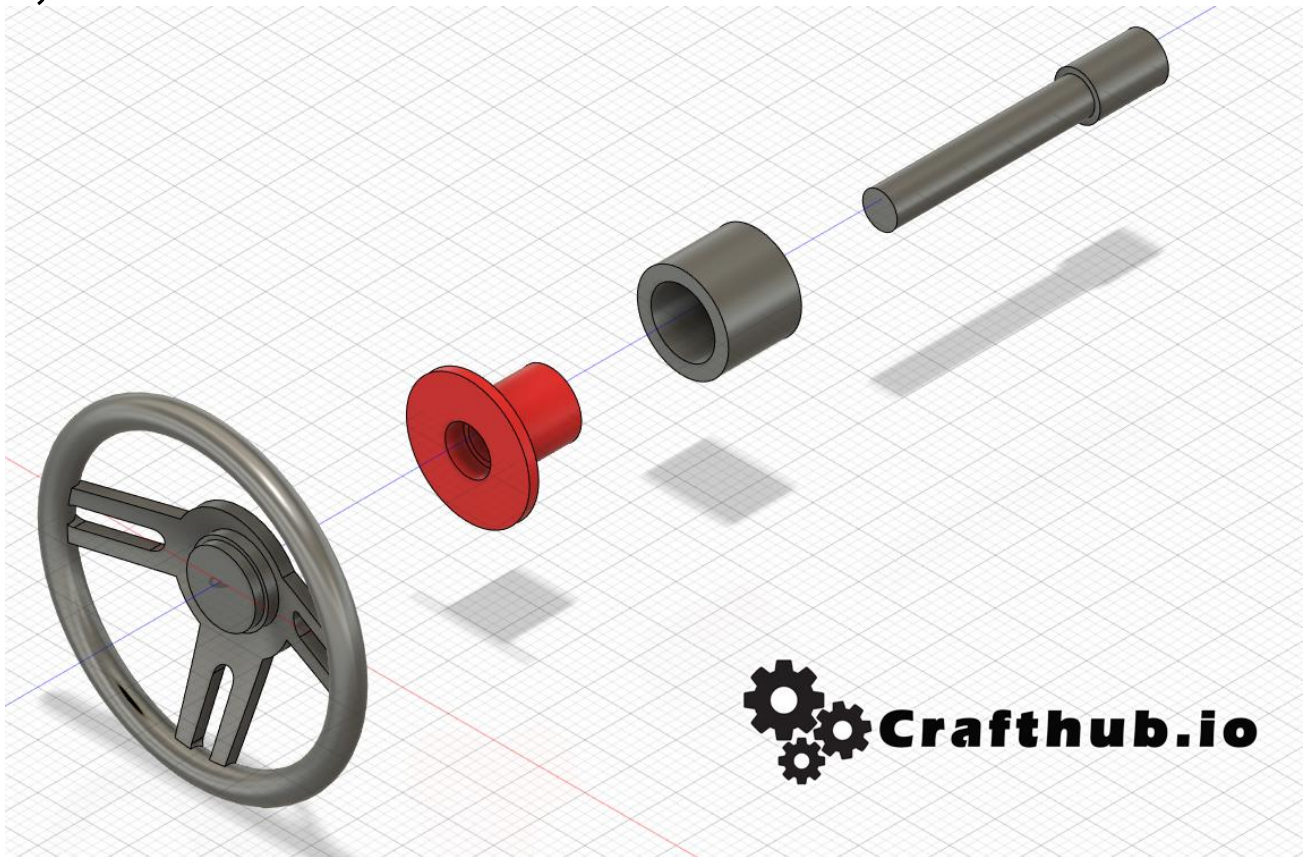
7,



Install meter panel and apply meter Sticker.
This sticker, you can print out from Adobe Illustrator file.
Set LED Bulb on meter cluster rid and fix with CA glue

Install the dashboard on Dash mount panel(orange) with Double-side Tape.

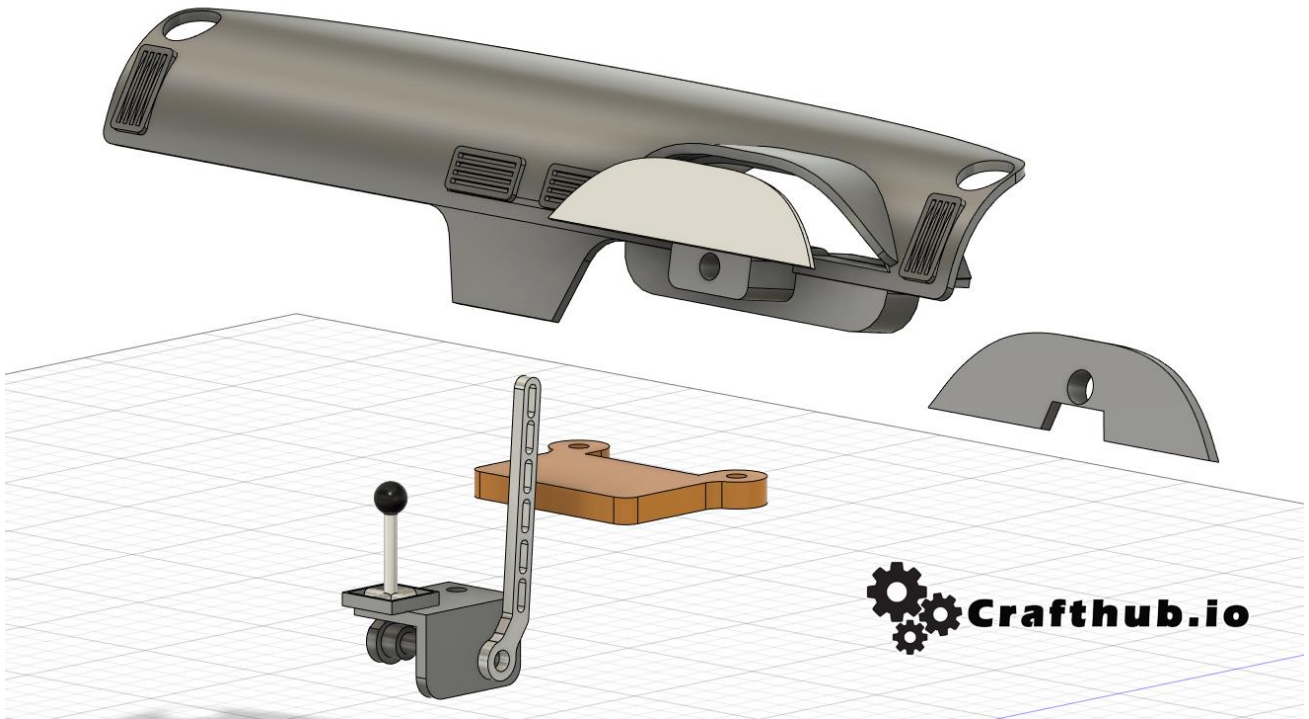
8,



Handle and Boss A Install 5mm*2mm neodymium magnet.

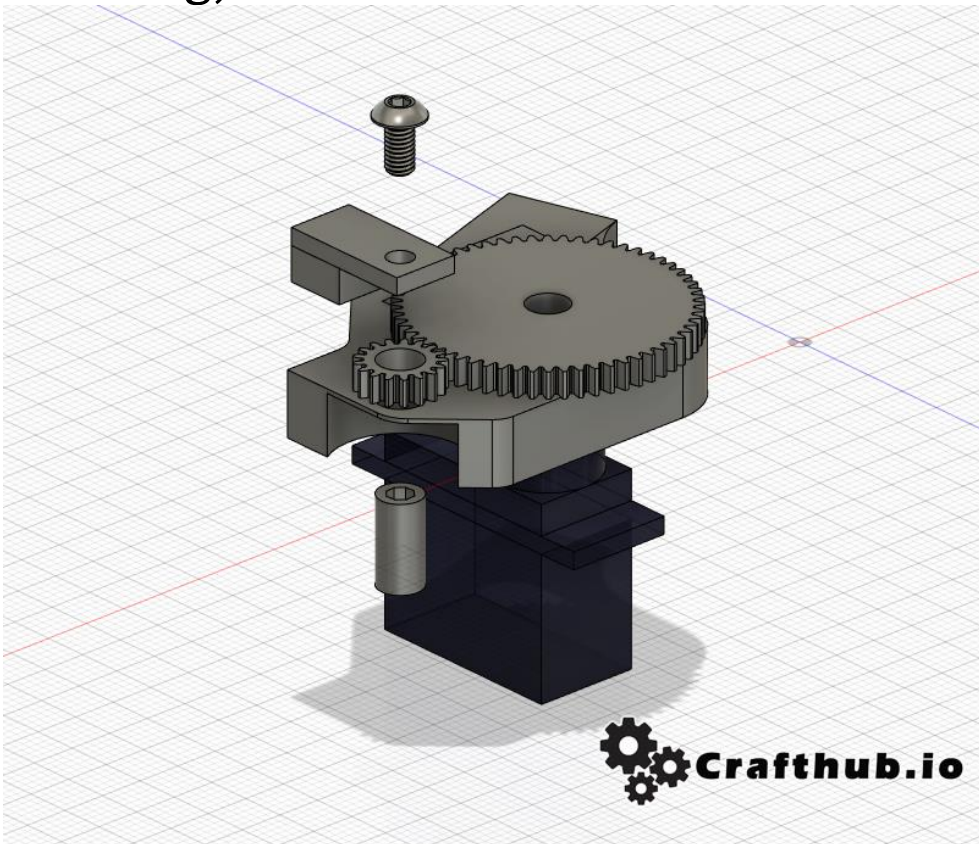


9,

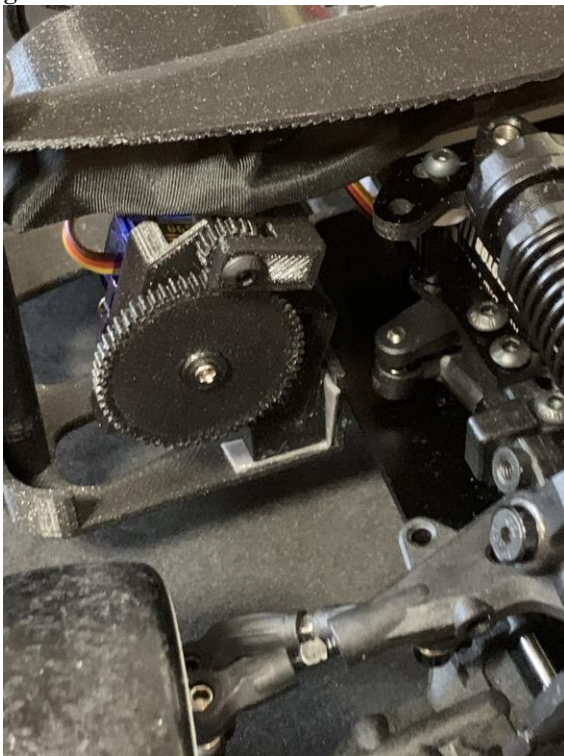


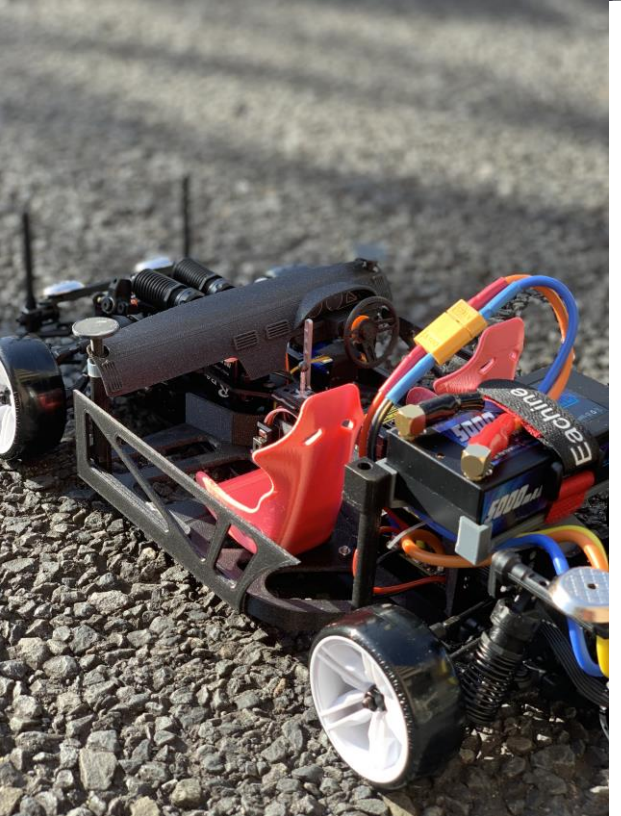
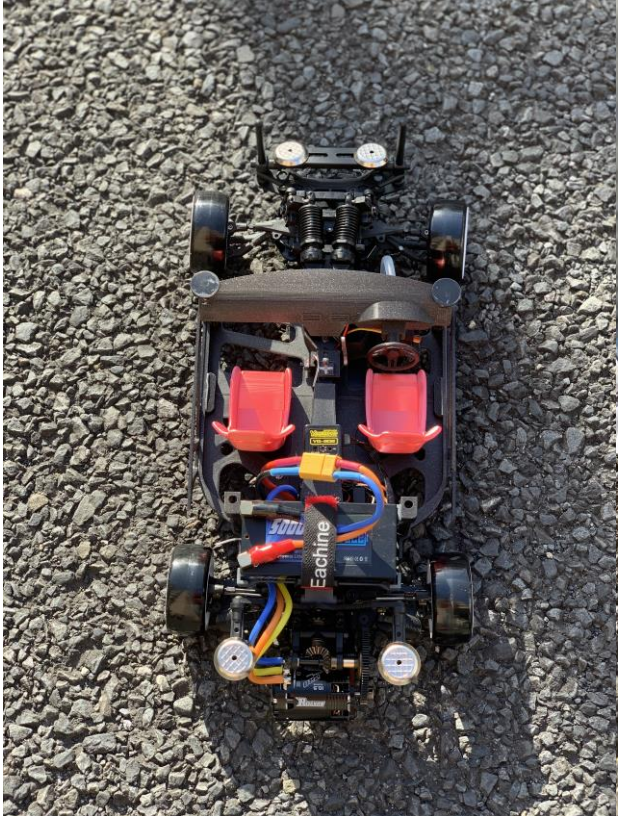
Install hand brake and shiftLever on upper chassis..

10, Steering, Driver



Use CA glue to fix Output shaft and small gear. Gear Main body and Gearholder also fix with CA glue.







Disclaimer

Do not use this file for commercial purpose without any permission.

This model is design to make FDM 3Dprinter, the parts have some additive markings, however, no problem for those parts function.

We use/recommend ColorfabbHT firmament

<https://colorfabb.com/colorfabb-ht-tritan>

If you have any question, please contact is via a form.

<https://www.crafthub.io/contact-us/>

Crafthub.io kay Hirano

<http://www.crafthub.io>

Instagram: @crafthub.io

Youtube: https://www.youtube.com/channel/UC5s76d53JjdKf_krIeUo6MQ/videos